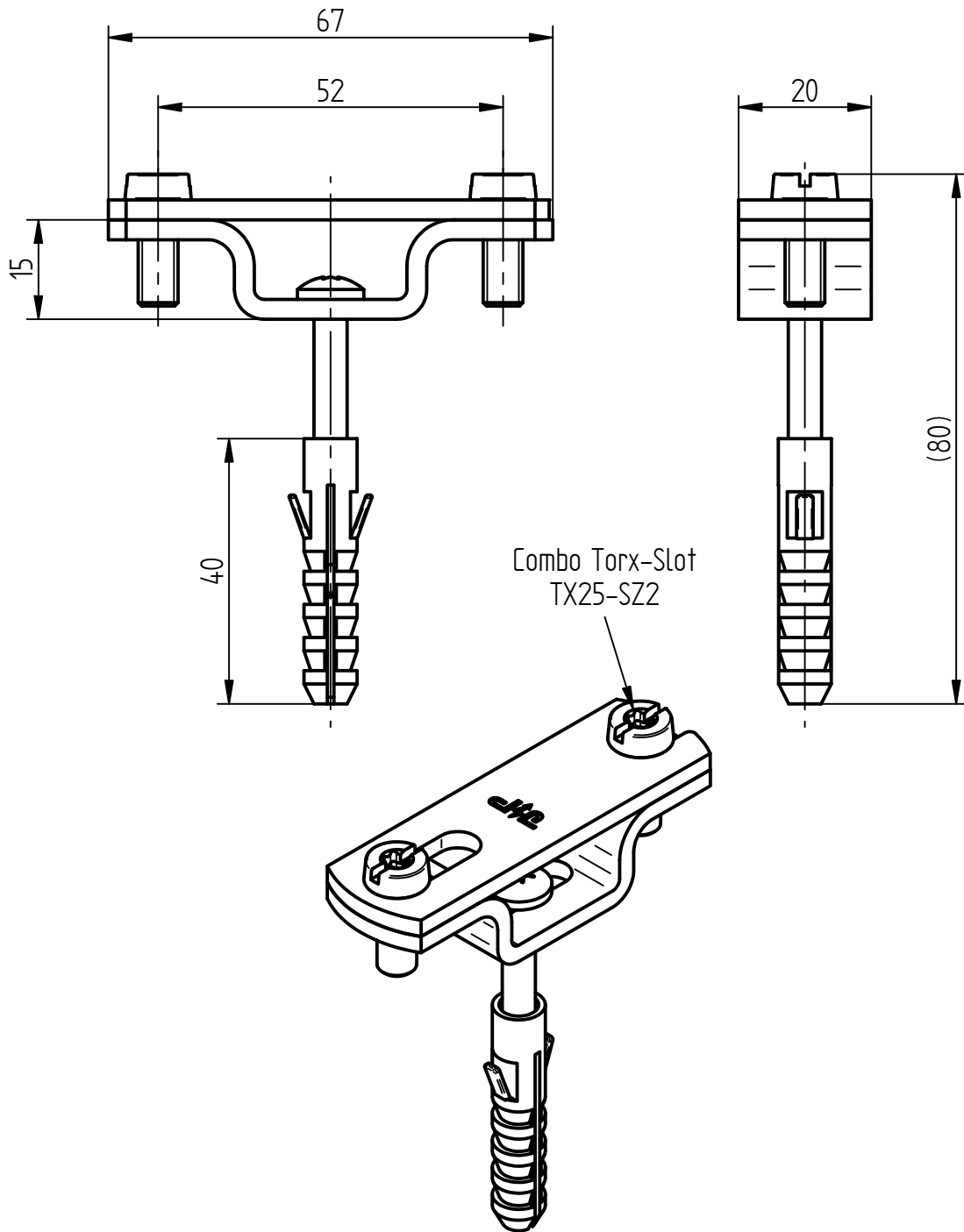


# Product Specification

**Ord.-No.:** **2037**

**Specification:** Tape conductor holder, St/tZn, fl. 40 mm with screw and dowel

**Performance:** Tape conductor holder according to DIN EN 62561-4 for fixing of flat strips. Type with screw and dowel.



Material of tape conductor holder	St/tZn
Height of conductor leading	15 mm
Fit of tape conductor holder	fl. 40 mm
Fit of dowel	Ø 8 mm
Weight	78 g
Standard reference	DIN EN 62561-4
Packing unit	100 units