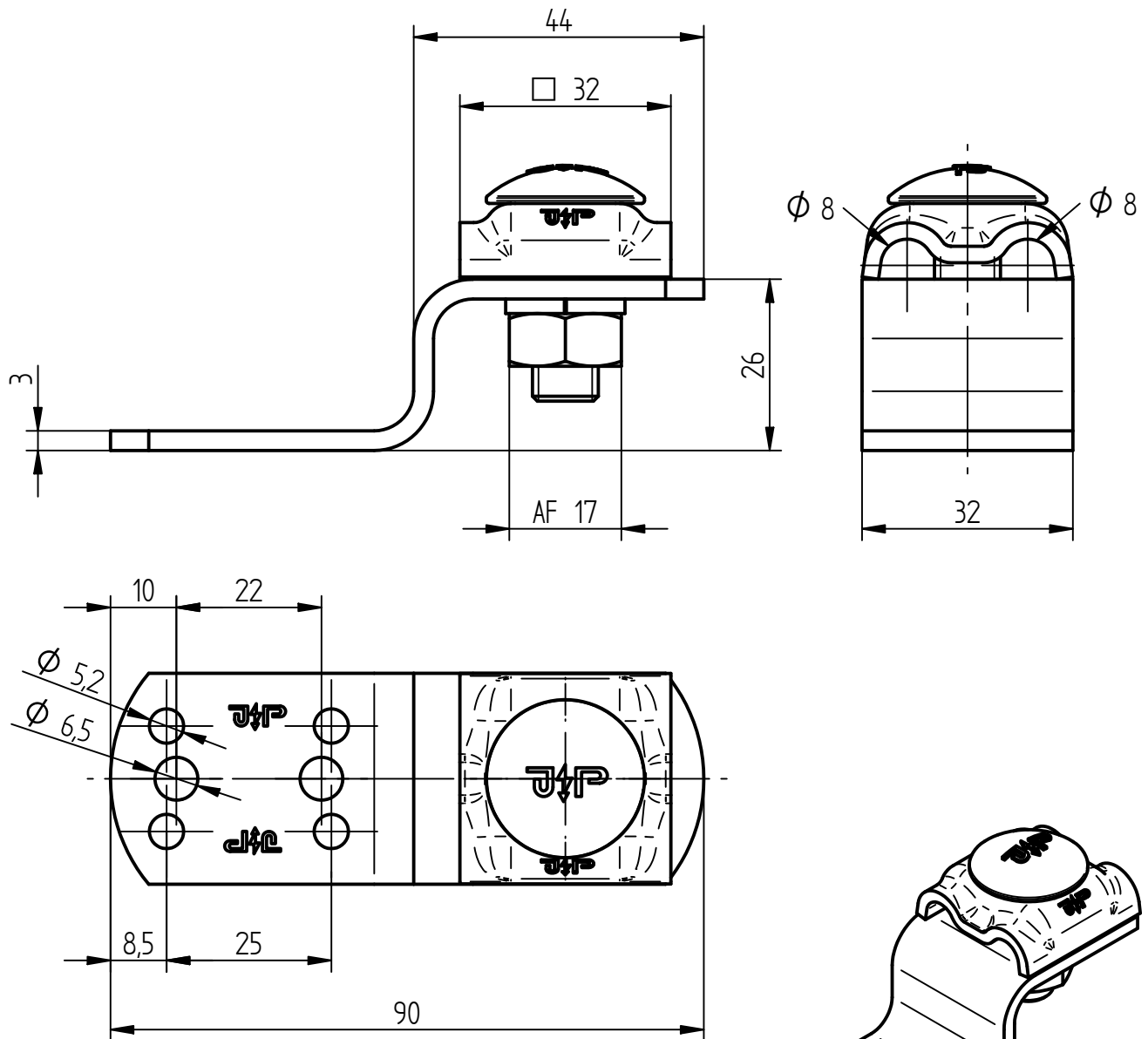


Product Specification

Ord.-No.: **1363**

Specification: Terminal angle, Alu, clamping jaw \varnothing 8 mm with rivet pattern

Performance: Terminal angle with rivet pattern and clamping jaw for the connection on metal constructions.



Material	Aluminium
Fit	\varnothing 8 mm
Screw	Carriage bolt M10 with nut, St/tZn
Spring lock washer	Stainless steel V2A
Rivet pattern	[4x] \varnothing 5.2 mm, [2x] \varnothing 6.5 mm
Weight	74 g
Standard reference	DIN EN 62561-1
Packing unit	50 units