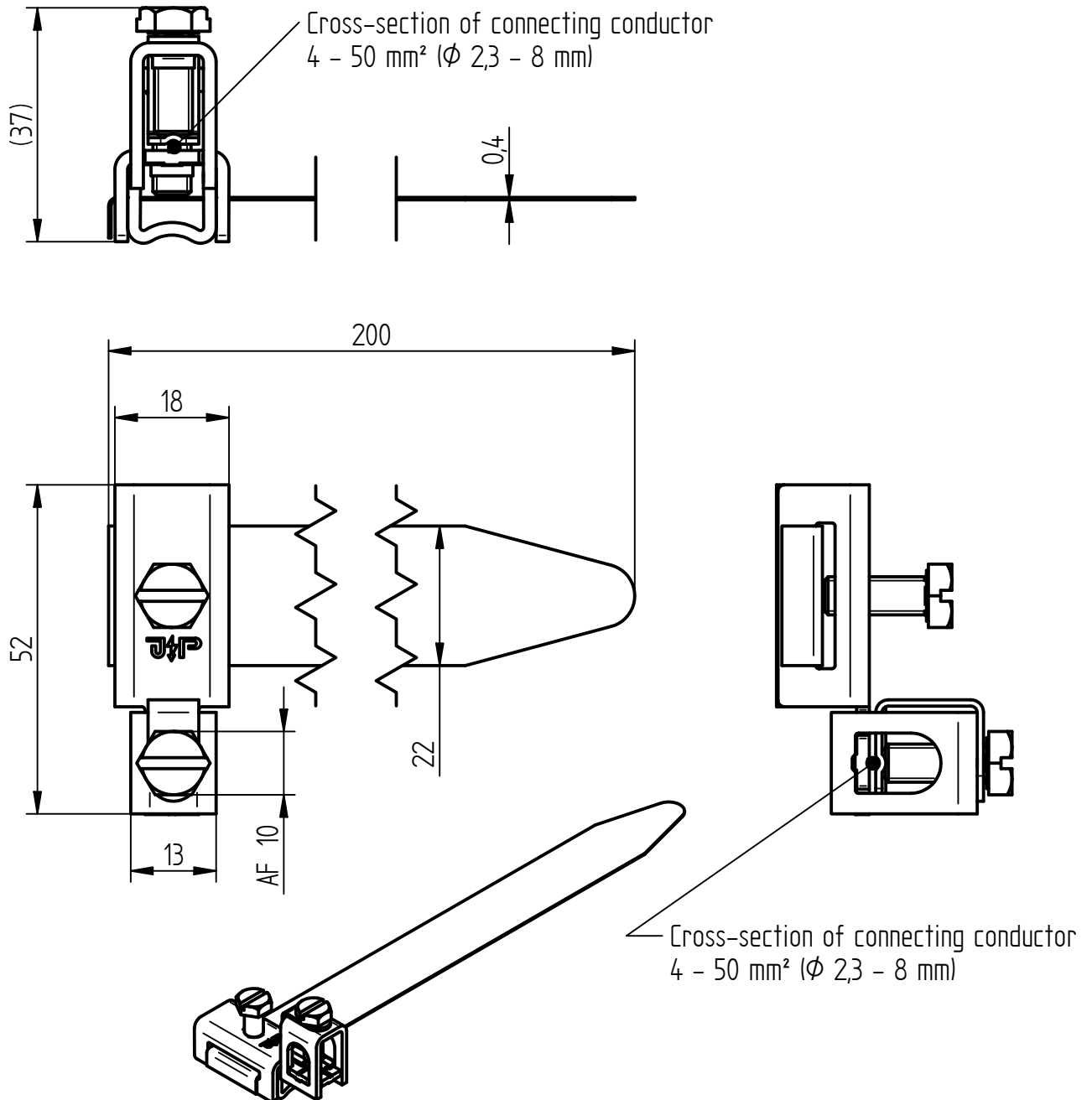


Product Specification

Ord.-No.: **111 441**

Specification: Earthing pipe clamp, V2A, 3/8 - 1 1/2 inch (Ø 17 - 50 mm), conductor 4 - 50 mm²

Performance: Earthing pipe clamp according to DIN EN 62561-1 for steel and copper pipes.



Material of clamp	Stainless steel V2A
Material of tensioning strap	Stainless steel V2A
Fit	3/8 - 1 1/2 inch
Diameter of fit	Ø 17 - 50 mm
Cross-section of connecting conductor	4 - 50 mm ² (Ø 2.3 - 8 mm)
Screws	[2x] Hexagon bolt M6, stainless steel V2A
Weight	71 g
Standard reference	DIN EN 62561-1
Packing unit	25 units