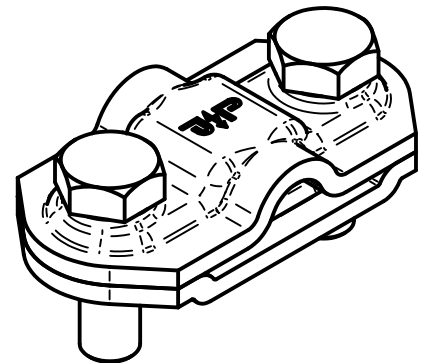
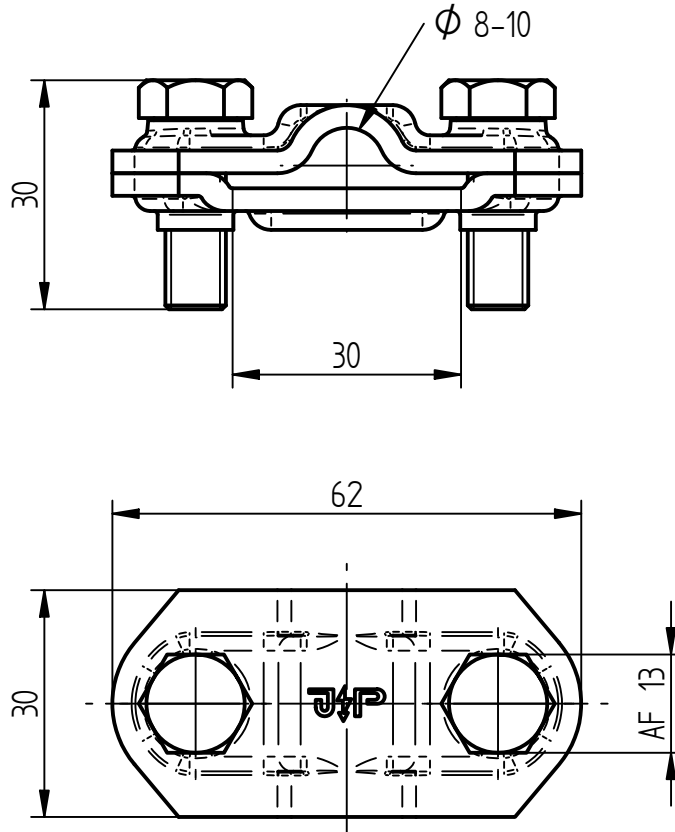


# Product Specification

**Ord.-No.:** **111 716**

**Specification:** Vario-Disconnecting clamp M8Plus, St/tZn  
two-part, round/flat, Ø 8-10 mm/fl. 30 mm

**Performance:** Disconnecting clamp -System Vario M8-Plus- according to DIN EN 62561-1 for test joints.



Material of clamp	St/tZn
Type of clamp	two-part, round/flat
Fit	Ø 8-10 mm/fl. 30 mm
Screws	[2x] Hexagon bolt M8, stainless steel V2A
Weight	107 g
Standard reference	DIN EN 62561-1
Packing unit	50 units