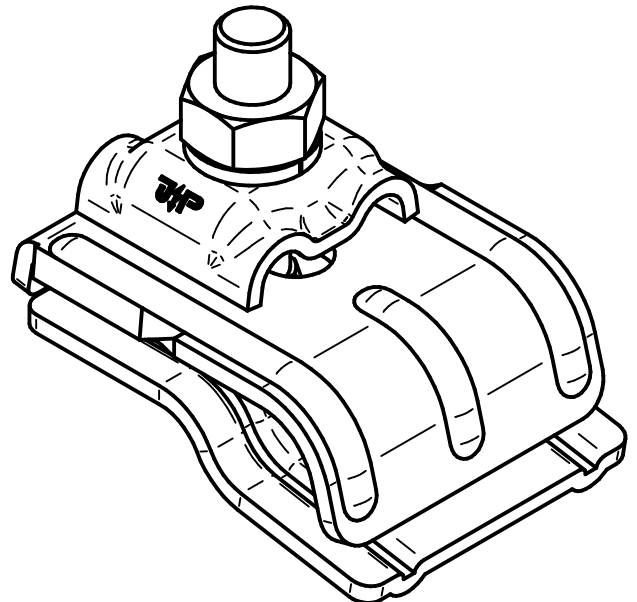
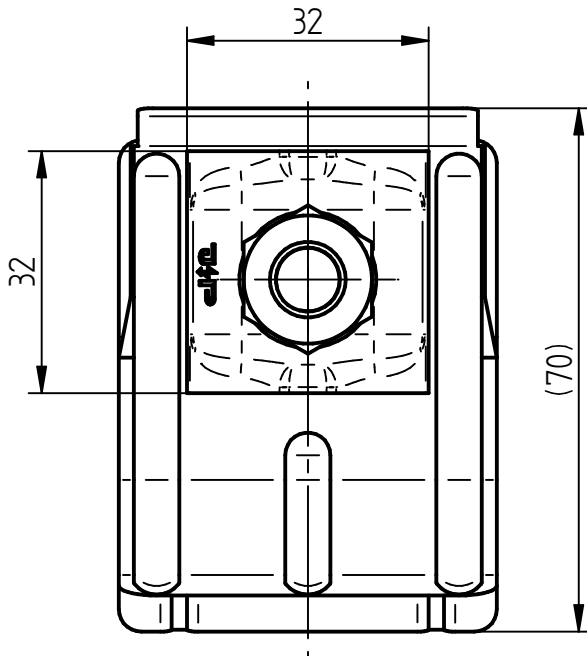
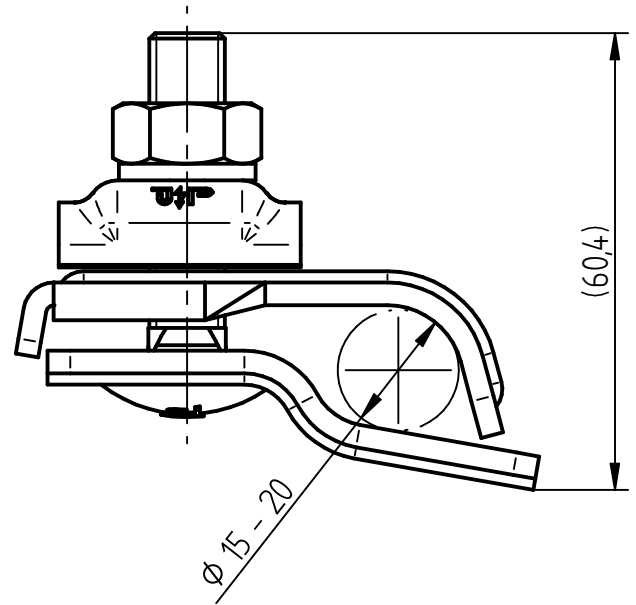
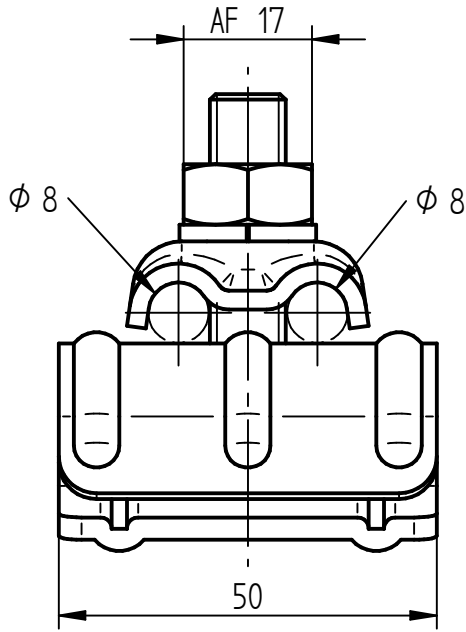


Product Specification

Ord.-No.: **1305**

Specification: Gutter terminal-clamp DUO, Alu
Ø 8 mm, for bead thickness Ø 15-20 mm

Performance: Gutter terminal-clamp DUO according to DIN EN 62561-1 for the connection of air-termination conductor or down conductor to the gutter.



Material of clamp	Aluminium
Fit	Ø 8 mm
Bead thicknesses	Ø 15-20 mm
Screw	Carriage bolt M10 with nut, St/tZn
Spring lock washer	Stainless steel V2A
Weight	111 g
Standard reference	DIN EN 62561-1
Packing unit	25 units