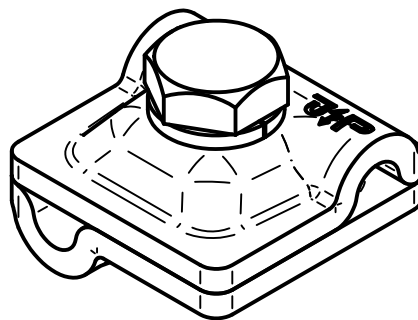
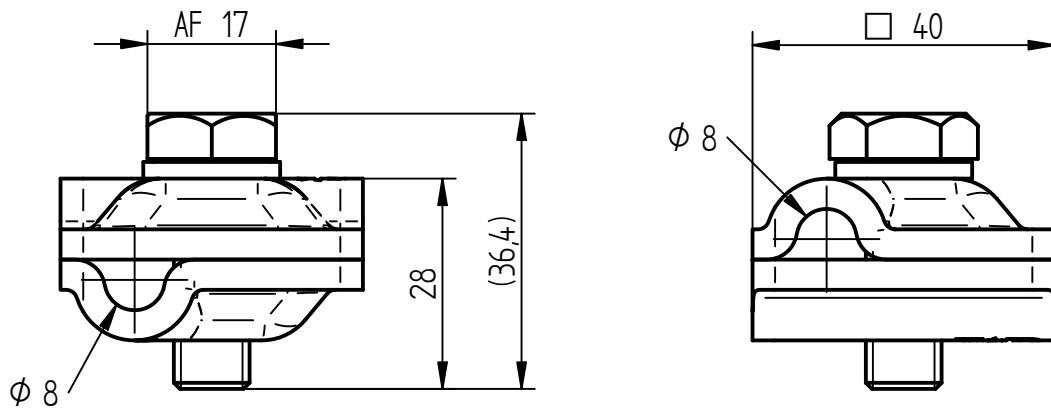


Product Specification

Ord.-No.: **1276**

Specification: Multi-clamp, Alu, Ø 8 mm
hexagon bolt M10, material thickness 4mm

Performance: Original-Multi-clamp according to DIN EN 62561-1 for the universal use as T-, cross-, parallel-clamp and joint-connector.



Material of clamp	Aluminium
Fit	Ø 8 mm
Material thickness	4 mm
Screw	Hexagon bolt M10, stainless steel V2A
Spring lock washer	Stainless steel V2A
Weight	63 g
Standard reference	DIN EN 62561-1
Packing unit	100 units