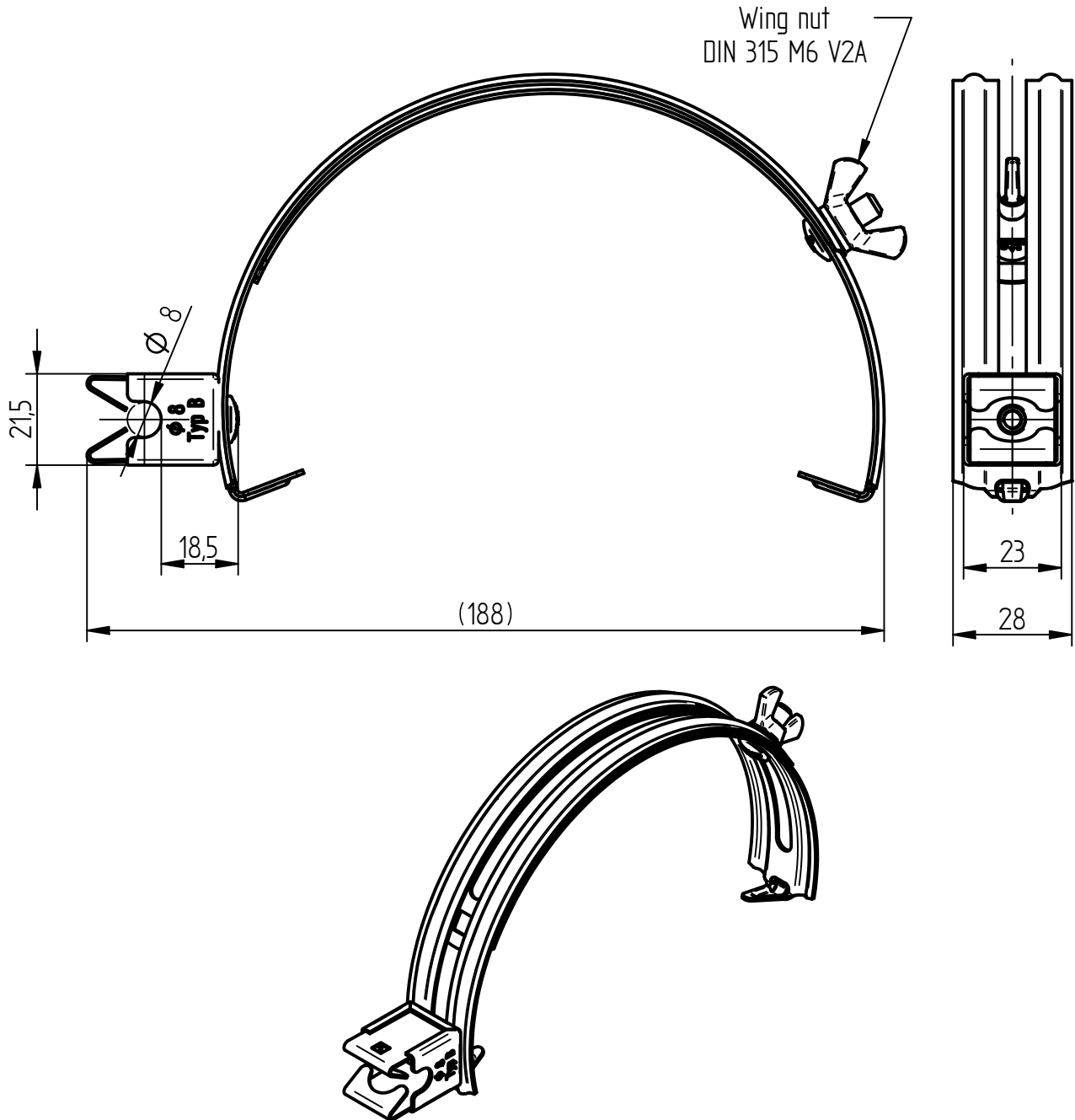


# Product Specification

**Ord.-No.:** 111 136

**Specification:** Roof conductor holder, V2A, Ø 8mm type B for ridge tiles

**Performance:** Adjustable roof conductor holder according to DIN EN 62561-4 for installing round conductors to ridge tiles.  
Type with Niro-Clip conductor fastener.



Material	Stainless steel V2A
Height of conductor leading	18,5 mm
Fit of conductor fastener	Ø 8 mm
Conductor leading	loose, type B
Weight	106 g
Standard reference	DIN EN 62561-4
Packing unit	100 units