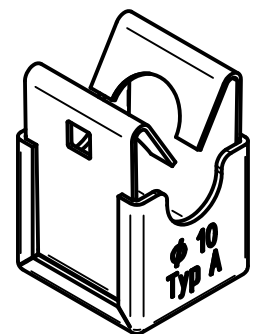
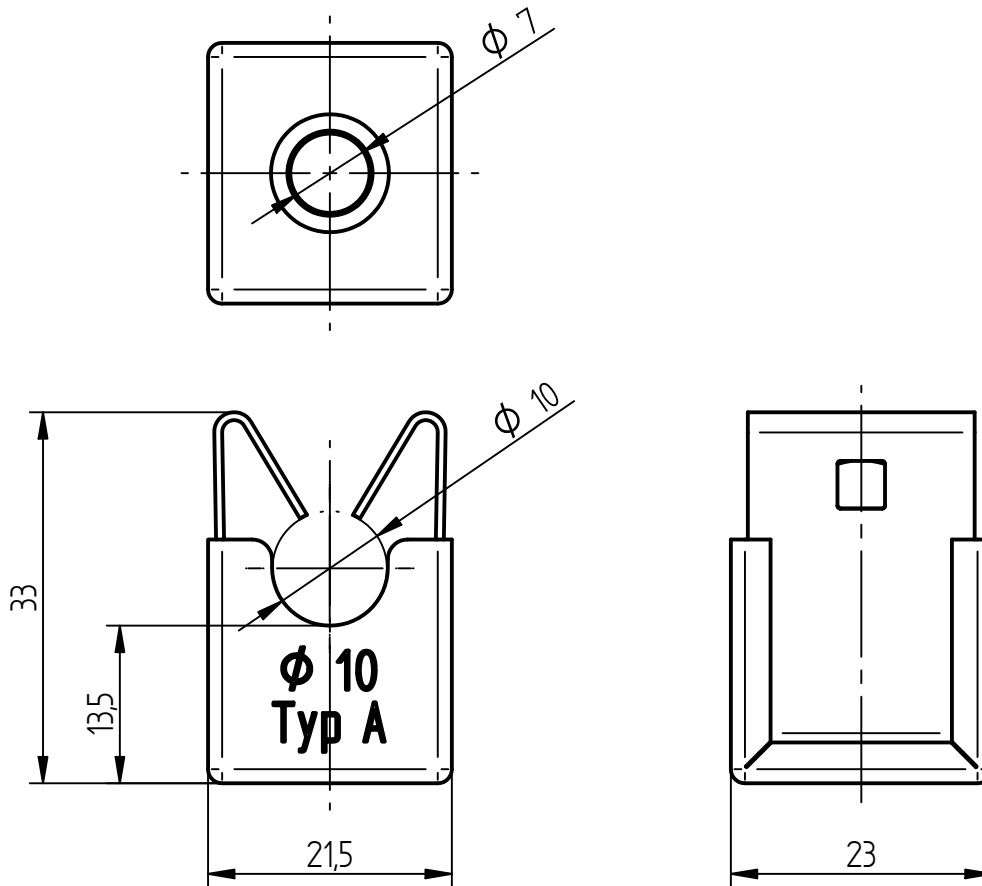


Product Specification

Ord.-No.: **110 090 S**

Specification: Niro-Clip conductor fastener, V2A
Ø 10 mm, type A, with Ø 7 mm bore

Performance: Niro-Clip conductor fastener according to DIN EN 62561-4 for fixing round conductors to walls.



| | |
|--------------------------------|---------------------|
| Material of conductor fastener | Stainless steel V2A |
| Height of conductor leading | 13.5 mm |
| Fit of conductor fastener | Ø 10 mm |
| Conductor leading | fixed, type A |
| Fixing of conductor fastener | Ø 7 mm |
| Weight | 21 g |
| Standard reference | DIN EN 62561-4 |
| Packing unit | 200 units |